

# EDS-G2005-ELP Series

5-port entry-level unmanaged full Gigabit Ethernet switches with plastic housing



## Features and Benefits

- Full Gigabit Ethernet ports
- Compact size for easy installation
- QoS supported to process critical data in heavy traffic
- IP40-rated plastic housing

## Certifications



## Introduction

The EDS-G2005-ELP series of industrial Ethernet switches have five Gigabit Ethernet ports and a plastic housing, which are ideal for applications that require simple industrial Ethernet connections. Moreover, to provide greater versatility for use with applications from different industries, the EDS-G2005-ELP Series also allows users to enable or disable the Quality of Service (QoS) function, and broadcast storm protection (BSP) with DIP switches on the outer panel.

The EDS-G2005-ELP Series has a 12/24/48 VDC single power input, DIN-rail mounting, and high-level EMI/EMC capabilities. In addition to its compact size, the EDS-G2005-ELP Series has passed a 100% burn-in test to ensure it will function reliably after it has been deployed. The EDS-G2005-ELP Series has a standard operating temperature range of -10 to 60°C.

## Specifications

### Ethernet Interface

|  |  |
|--|--|
| 10/100/1000BaseT(X) Ports (RJ45 connector) | 5<br>Full/Half duplex mode<br>Auto MDI/MDI-X connection<br>Auto negotiation speed  |
| Standards                                  | IEEE 802.3 for 10BaseT<br>IEEE 802.3u for 100BaseT(X)<br>IEEE 802.3ab for 1000BaseT(X)<br>IEEE 802.3x for flow control<br>IEEE 802.1p for Class of Service |

### Switch Properties

|                    |                   |
|--------------------|-------------------|
| Processing Type    | Store and Forward |
| MAC Table Size     | 4 K               |
| Packet Buffer Size | 1.5 Mbits         |

### DIP Switch Configuration

|                    |  |
|--------------------|--|
| Ethernet Interface | Quality of Service (QoS), Broadcast Storm Protection (BSP) |
|--------------------|--|

### Power Parameters

|               |   |
|---------------|---|
| Connection    | 1 removable 3-contact terminal block(s) |
| Input Current | 0.21 A (max.)                           |

|                             |               |
|-----------------------------|---------------|
| Input Voltage               | 12/24/48 VDC  |
| Operating Voltage           | 9.6 to 60 VDC |
| Overload Current Protection | Supported     |
| Reverse Polarity Protection | Supported     |

#### Physical Characteristics

|              |  |
|--------------|--|
| Dimensions   | 19 x 81 x 65 mm (0.75 x 3.19 x 2.56 in)                |
| Installation | DIN-rail mounting<br>Wall mounting (with optional kit) |
| Weight       | 90 g (0.2 lb)  |
| Housing      | Plastic  |

#### Environmental Limits

|  |                            |
|--|----------------------------|
| Ambient Relative Humidity              | 5 to 95% (non-condensing)  |
| Operating Temperature                  | -10 to 60°C (14 to 140°F)  |
| Storage Temperature (package included) | -40 to 85°C (-40 to 185°F) |

#### Standards and Certifications

|           |  |
|-----------|--|
| Safety    | UL 61010-2-201<br>EN 62368-1 (LVD)   |
| EMC       | EN 55032/35<br>EN 61000-6-2/-6-4   |
| EMI       | CISPR 32, FCC Part 15B Class A   |
| EMS       | IEC 61000-4-2 ESD: Contact: 6 kV; Air: 8 kV<br>IEC 61000-4-3 RS: 80 MHz to 1 GHz: 20 V/m<br>IEC 61000-4-4 EFT: Power: 1 kV; Signal: 1 kV<br>IEC 61000-4-5 Surge: Power: 1 kV; Signal: 1 kV<br>IEC 61000-4-6 CS: 10 V<br>IEC 61000-4-8 PFMF |
| Shock     | IEC 60068-2-27   |
| Vibration | IEC 60068-2-6  |
| Freefall  | IEC 60068-2-32   |

#### MTBF

|           |                          |
|-----------|--------------------------|
| Time      | 3,404,784 hrs            |
| Standards | Telcordia (Bellcore), GB |

#### Warranty

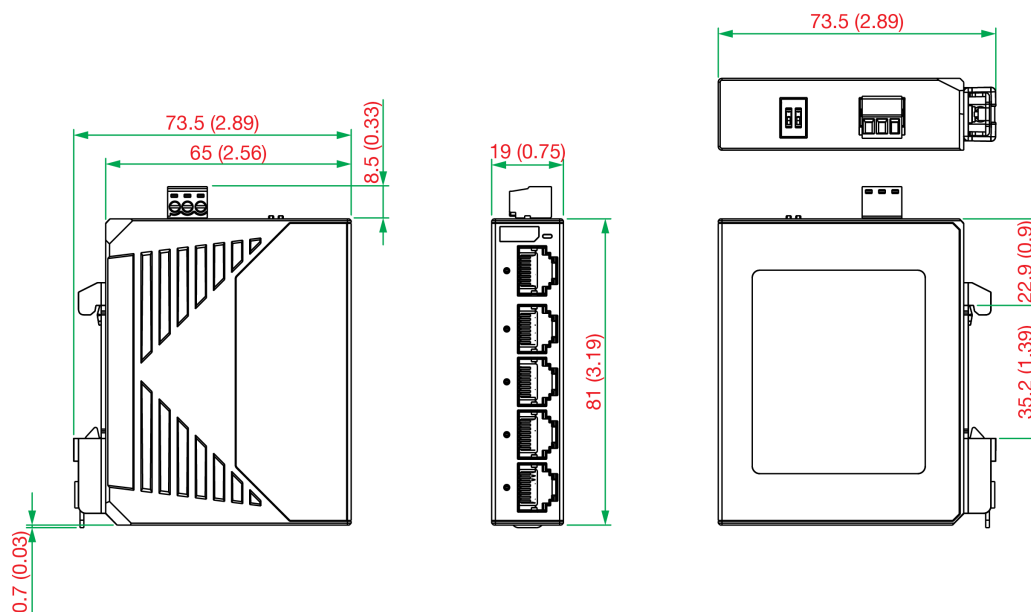
|                 |  |
|-----------------|--|
| Warranty Period | 5 years  |
| Details         | See <a href="http://www.moxa.com/warranty">www.moxa.com/warranty</a> |

#### Package Contents

|               |   |
|---------------|---|
| Device        | 1 x EDS-G2005-ELP Series switch                   |
| Documentation | 1 x quick installation guide<br>1 x warranty card |

## Dimensions

Unit: mm (inch)



## Ordering Information

| Model Name    | 10/100/1000BaseT(X) Ports (RJ45 Connector) | Housing | Operating Temp. |
|---------------|--|---------|-----------------|
| EDS-G2005-ELP | 5  | Plastic | -10 to 60°C     |

## Accessories (sold separately)

### Power Supplies

|           |   |
|-----------|---|
| DR-4524   | 45W/2A DIN-rail 24 VDC power supply with universal 85 to 264 VAC or 120 to 370 VDC input, -10 to 50°C operating temperature                                       |
| DR-75-48  | 75W/1.6A DIN-rail 48 VDC power supply with universal 85 to 264 VAC or 120 to 370 VDC input, -10 to 60°C operating temperature                                     |
| DR-120-24 | 120W/2.5A DIN-rail 24 VDC power supply with universal 88 to 132 VAC or 176 to 264 VAC input by switch, or 248 to 370 VDC input, -10 to 60°C operating temperature |
| MDR-40-24 | DIN-rail 24 VDC power supply with 40W/1.7A, 85 to 264 VAC, or 120 to 370 VDC input, -20 to 70°C operating temperature   |
| MDR-60-24 | DIN-rail 24 VDC power supply with 60W/2.5A, 85 to 264 VAC, or 120 to 370 VDC input, -20 to 70°C operating temperature   |

### Wall-Mounting Kits

|       |  |
|-------|--|
| WK-18 | Wall-mounting kit, 1 plate (18 x 120 x 8.5 mm) |
|-------|--|

### Rack-Mounting Kits

|       |                           |
|-------|---------------------------|
| RK-4U | 19-inch rack-mounting kit |
|-------|---------------------------|

© Moxa Inc. All rights reserved. Updated Feb 01, 2023.

This document and any portion thereof may not be reproduced or used in any manner whatsoever without the express written permission of Moxa Inc. Product specifications subject to change without notice. Visit our website for the most up-to-date product information.